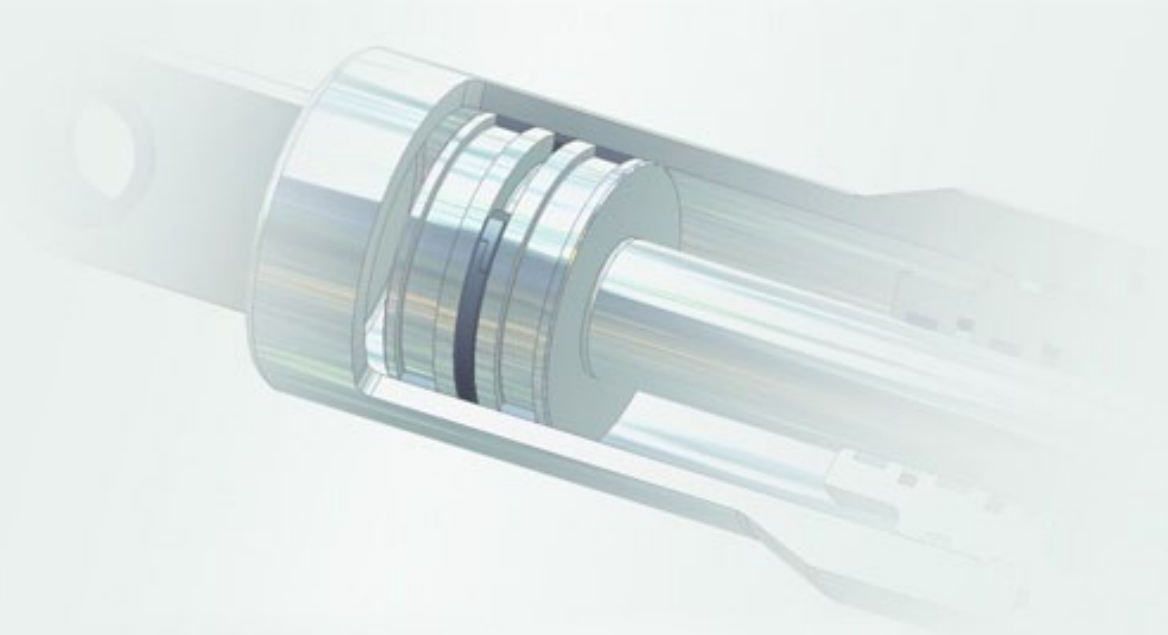


Zurcon[®] Glyd Ring[®] P





Your Partner for Sealing Technology

Trelleborg Sealing Solutions is a major international sealing force, uniquely placed to offer dedicated design and development from our market leading product and material portfolio; a one-stop shop providing the best in elastomer, thermoplastic, PTFE and composite technologies for applications in aerospace, industrial, and automotive industries.

With 50-years experience, Trelleborg Sealing Solutions engineers support customers with design, prototyping, production, test and installation using state-of-the-art design tools. An international network of over 70 facilities worldwide includes 30 manufacturing sites, strategically positioned research and development centers, including materials and development laboratories and locations specializing in design and applications.

Developing and formulating materials in-house, we utilize the resource of our material database, including over 2,000 proprietary compounds and a range of unique products.

Trelleborg Sealing Solutions fulfills challenging service requirements, supplying standard parts in volume or a single custom-manufactured component, through our integrated logistical support, which effectively delivers over 40,000 sealing products to customers worldwide.

Facilities are certified to ISO 9001:2000 and ISO/TS 16949:2002. Trelleborg Sealing Solutions is backed by the experiences and resources of one of the world's foremost experts in polymer technology, Trelleborg AB.

ISO 9001:2000

ISO/TS 16949:2002

The information in this brochure is intended to be for general reference purposes only and is not intended to be a specific recommendation for any individual application. The application limits for pressure, temperature, speed and media given are maximum values determined in laboratory conditions. In application, due to the interaction of operating parameters, maximum values may not be achieved. It is vital therefore, that customers satisfy themselves as to the suitability of product and material for each of their individual applications. Any reliance on information is therefore at the user's own risk. In no event will Trelleborg Sealing Solutions be liable for any loss, damage, claim or expense directly or indirectly arising or resulting from the use of any information provided in this brochure. While every effort is made to ensure the accuracy of information contained herewith, Trelleborg Sealing Solutions cannot warrant the accuracy or completeness of information.

To obtain the best recommendation for a specific application, please contact your local Trelleborg Sealing Solutions marketing company.

This edition supersedes all previous brochures.
This brochure or any part of it may not be reproduced without permission.

© All trademarks are the property of Trelleborg AB.

The turquoise color is a registered trademark of Trelleborg AB.

© 2008, Trelleborg AB. All rights reserved.



■ Zurcon® Glyd Ring® P

Description

The doubleacting Zurcon® Glyd Ring® P is a combination of a Zurcon® based material slipper seal with a step cut and an energising rectangular elastomeric ring. It is produced with an interference fit at closed step cut which together with the squeeze of the rectangular energiser ring ensures a good sealing effect even at low pressure.

At higher system pressures, the rectangular ring is energised by the fluid, pushing the Zurcon® Glyd Ring® P against the sealing face with increased force. At high peak pressures, the Zurcon® step cut seal ring can follow ballooning of the tube without losing the sealability.

Due to the Zurcon® high strength plastic material, two times bigger extrusion gaps are possible compared with Turcon® materials. The step cut in the ring is necessary for installation in closed grooves and for the flexibility of the seal ring due to the high stiffness of the material.

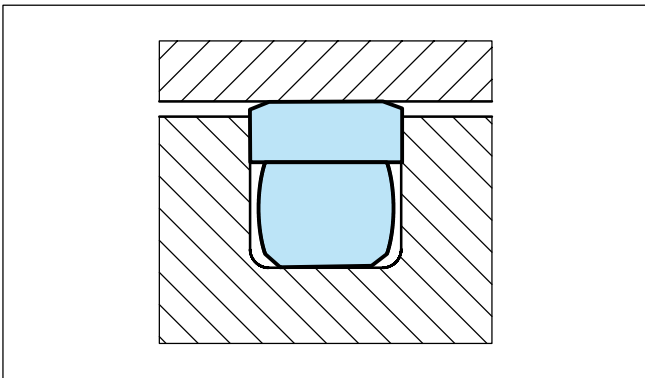


Figure 1 Zurcon® Glyd Ring® P

Step Cut

For easy installation on the piston and for the flexibility of the seal ring a precision step cut is produced by special tool technology.

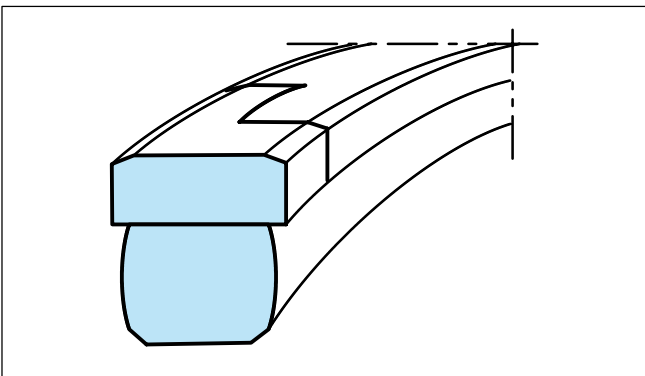


Figure 2 Step cut on Zurcon® Glyd Ring® P

Advantages

- easy installation on piston without special tools
- due to large extrusion gap, safe use even with soiled media
- installation grooves acc. to ISO 7425/1
- simple groove design, one piece piston possible
- increased clearance compare to Turcon® Glyd Ring® seals (approx. +50%), depending on operation conditions
- resistant against shock loads
- high wear resistant material ensures long service life

Application Examples

- construction machinery, e.g. excavators
- truck cranes
- fork lifts

it is particularly recommended for heavy duty applications

Technical Data

Operating conditions:

Zurcon® Glyd Ring® P is recommended for reciprocating (with a length of stroke at least twice the groove width) movements where the dimensional gap between piston and tube shall be as big as possible or where high pressure peaks occur during operation.

Pressure: 50 MPa standard
100 MPa pressure peak

Speed: up to 1 m/s

Temperature: - 30°C to +110°C standard

- 40°C to +100°C and
- 15°C to +140°C on request with special materials

Media: mineral oil based hydraulic fluids

Important Note:

The above data are maximum values and cannot be used at the same time. e.g. the maximum operating speed depends on material type, pressure, temperature and gap value.



Zurcon® Glyd Ring® P

Materials

Standard Application:

- For hydraulic components in mineral oils or medias with good lubricating performance.

Zurcon® seal ring: Zurcon® Z66

Energiser: Rectangular ring in NBR 70
shore A, code N

Set reference: Z66 N

Low temperature application:

Zurcon® seal ring: Zurcon® Z66

Energiser: Rectangular ring in low temp. NBR 70
shore A, code T

Set reference: Z66 T

High temperature application:

Zurcon® seal ring: Zurcon® Z66

Energiser: Rectangular ring in FKM 70
shore A, code V

Set reference: Z66 V



■ Installation Recommendations

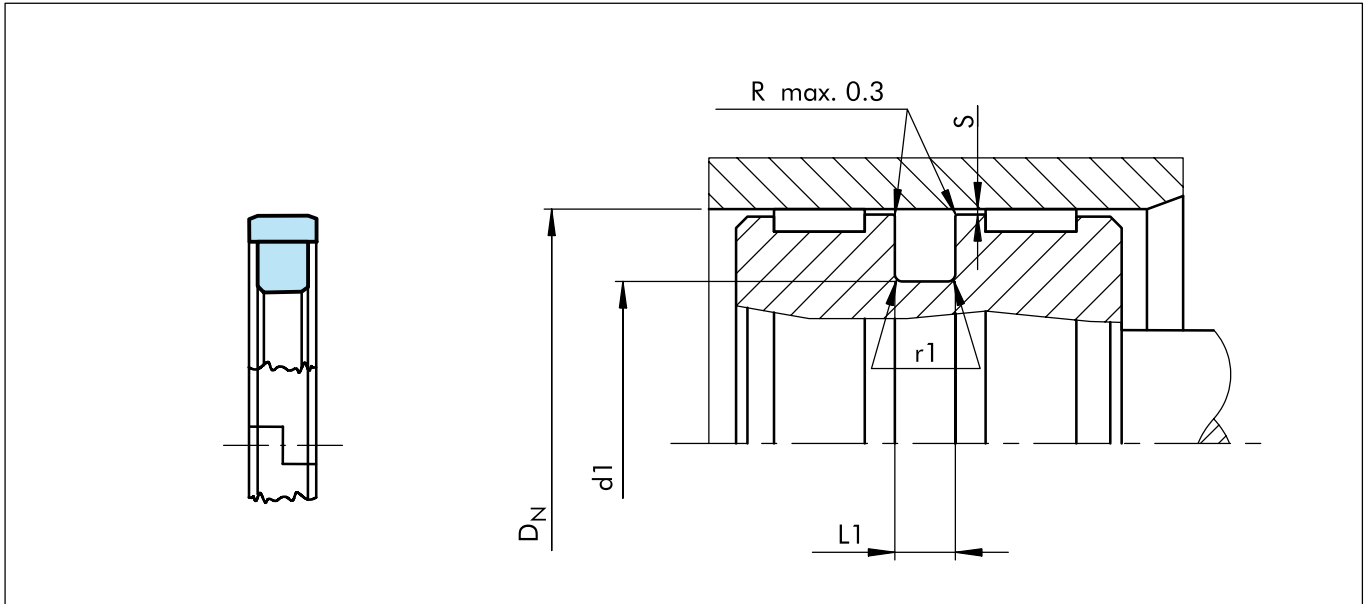


Figure 3 Installation drawing

Table I Installation Dimension

Series No.	Groove Diameter	Groove Width	Radius	Radial Clearance
	d_1 h9	$L_1 \pm 0.1$	r_1	S max.
PGP2	$D_N - 11.0$	4.2	0.5	0.35
PGP3	$D_N - 15.5$	6.3	0.9	0.50
PGP4	$D_N - 21.0$	8.1	0.9	0.60

Ordering example

Zurcon® Glyd Ring® P for ISO groove
 Cylinder bore diameter: $D_N = 125$ mm
 Series No. PGP4
 Part No. PGP401250 (from Table II)
 TSS seal ring material code Z66
 Energiser material code: N
 Set code: Z66 N

Order No.	PGP4	0	1250	-	Z66	N
Series No.						
Type (Standard)						
Cylinder bore diameter x 10						
Quality Index (Standard)						
Material code (Seal ring)						
Material code (Energiser Ring)						



Zurcon[®] Glyd Ring[®] P

Table II Preferred Series / Part No.

Bore Diameter	Groove Diameter	Groove Width	Part No.
D_N H9	d1 h9	L1 +/-0.1	
45.0	34	4.2	PGP200450
70.0	54.5	6.3	PGP300700
75.0	59.5	6.3	PGP300750
75.0	54	8.1	PGP400750
80.0	59	8.1	PGP400800
90.0	69	8.1	PGP400900
100.0	79	8.1	PGP401000
110.0	89	8.1	PGP401100
120.0	99	8.1	PGP401200
125.0	104	8.1	PGP401250
130.0	109	8.1	PGP401300
140.0	119	8.1	PGP401400
150.0	129	8.1	PGP401500
160.0	139	8.1	PGP401600
170.0	149	8.1	PGP401700
180.0	159	8.1	PGP401800
190.0	169	8.1	PGP401900

All dimensions in **bold** are suitable for installation in grooves to ISO 7425/1, bore dia. in accordance with ISO 3320
Further sizes on request

LOCAL CONTACTS

EUROPE

Austria – Vienna (Slovenia)

+43 (0) 1 406 47 33

Belgium - Dion-Valmont (Luxembourg)

+32 (0) 10 22 57 50

Bulgaria – Sofia

(Azerbaijan, Belarus, Greece, Romania, Ukraine)

+359 (0) 2 969 95 99

Croatia – Zagreb (Albania, Bosnia and Herzegovina,

Macedonia, Serbia, Montenegro)

+385 (0) 1 24 56 387

Czech Republic - Rakovník (Slovakia)

+420 313 529 111

Denmark – Copenhagen

+45 48 22 80 80

Finland – Vantaa (Estonia, Latvia)

+385 (0) 207 12 13 50

France - Maisons-Laffitte

+33 (0) 1 30 86 56 00

Germany - Stuttgart

+49 (0) 711 7864 0

Hungary – Budaörs

+36 (06) 23 50 21 21

Italy – Livorno

+39 0586 22 6111

The Netherlands - Rotterdam

+31 (0) 10 29 22 111

Norway – Oslo

+47 22 64 60 80

Poland – Warsaw (Lithuania)

+48 (0) 22 863 30 11

Russia – Moscow

+7 495 982 39 21

Spain – Madrid (Portugal)

+34 (0) 91 71057 30

Sweden – Jönköping

+46 (0) 36 34 15 00

Switzerland – Crissier

+41 (0) 21 631 41 11

Turkey – Istanbul

+90 216 569 80 84

United Kingdom - Solihull (Eire, South Africa)

+44 (0) 121 744 1221

Aerospace Hub Europe, North

(UK and Nordic Countries)

+44 (0) 121 744 1221

Aerospace Hub Europe, South & West

(Continental Europe and Middle East)

+33 (0) 1 30 86 56 00

Automotive Hub Europe

+49 (0) 711 7864 0

AMERICAS

Americas Regional

+1 260 749 9631

Brazil – São José dos Campos

+55 12 3932 7600

Canada Central – Etobicoke, ON

+1 416 213 9444

Canada East – Montreal, QC

+1 514 284 1114

Canada West – Langley, BC

+1 604 539 0098

Mexico - Mexico City

+52 55 57 19 50 05

USA, Great Lakes - Fort Wayne, IN

+1 260 482 4050

USA, East - Mt. Juliet, TN

+1 615 800 8340

USA, Midwest - Hanover Park, IL

+1 630 539 5500

USA, Northern California - Fresno, CA

+1 559 449 6070

USA, Northwest - Portland, OR

+1 503 595 6565

USA, Southwest - Houston, TX

+1 713 461 3495

Aerospace Hub Airframe

+1 303 469 1357

Aerospace Hub Distribution & Engineering

+1 260 749 9631

Aerospace Hub East

+1 610 828 3209

Aerospace Hub West

+1 310 371 1025

Automotive Hub North America

+1 734 354 1250

Automotive Hub South America

+55 12 3932 7600

ASIA PACIFIC

Asia Pacific Regional

+65 6 577 1778

China – Hong Kong

+852 2366 9165

China – Shanghai

+86 (0) 21 6145 1830

India – Bangalore

+91 (0) 80 3372 9000

Japan – Tokyo

+81 (0) 3 5633 8008

Korea – Seoul

+82 (0) 2 761 3471

Malaysia - Kuala Lumpur

+60 (0) 3 90549266

Taiwan – Taichung

+886 4 2382 8886

Thailand – Bangkok

+66 (0) 2732 2861

Vietnam – Ho Chi Minh City

+84 8 6288 6407

Singapore and all other countries in South and East Asia, Australasia

+65 6 577 1778

Aerospace Hub China

+86 (0) 21 6145 1830

Aerospace Hub Singapore

+65 6 577 1778

Automotive Hub China

+86 (0) 21 6145 1830

Automotive Hub India

+91 (0) 80 3372 9200

AFRICA, CENTRAL ASIA AND MIDDLE EAST

Africa & Iran (excluding South Africa (see UK))

+41 (0) 21 631 41 11

Central Asia (Armenia, Georgia, Kazakhstan, Kyrgyzstan, Tajikistan, Uzbekistan)

+7 495 982 39 21

Middle East and Gulf Region

+359 (0) 2 969 95 99



Trelleborg is a world leader in engineered polymer solutions that seal, damp and protect critical applications in demanding environments. Its innovative engineered solutions accelerate performance for customers in a sustainable way. The Trelleborg Group has local presence in over 40 countries around the world.



facebook.com/TrelleborgSealingSolutions

twitter.com/TrelleborgSeals

youtube.com/TrelleborgSeals

flickr.com/TrelleborgSealingSolutions



WWW.TSS.TRELLEBORG.COM