

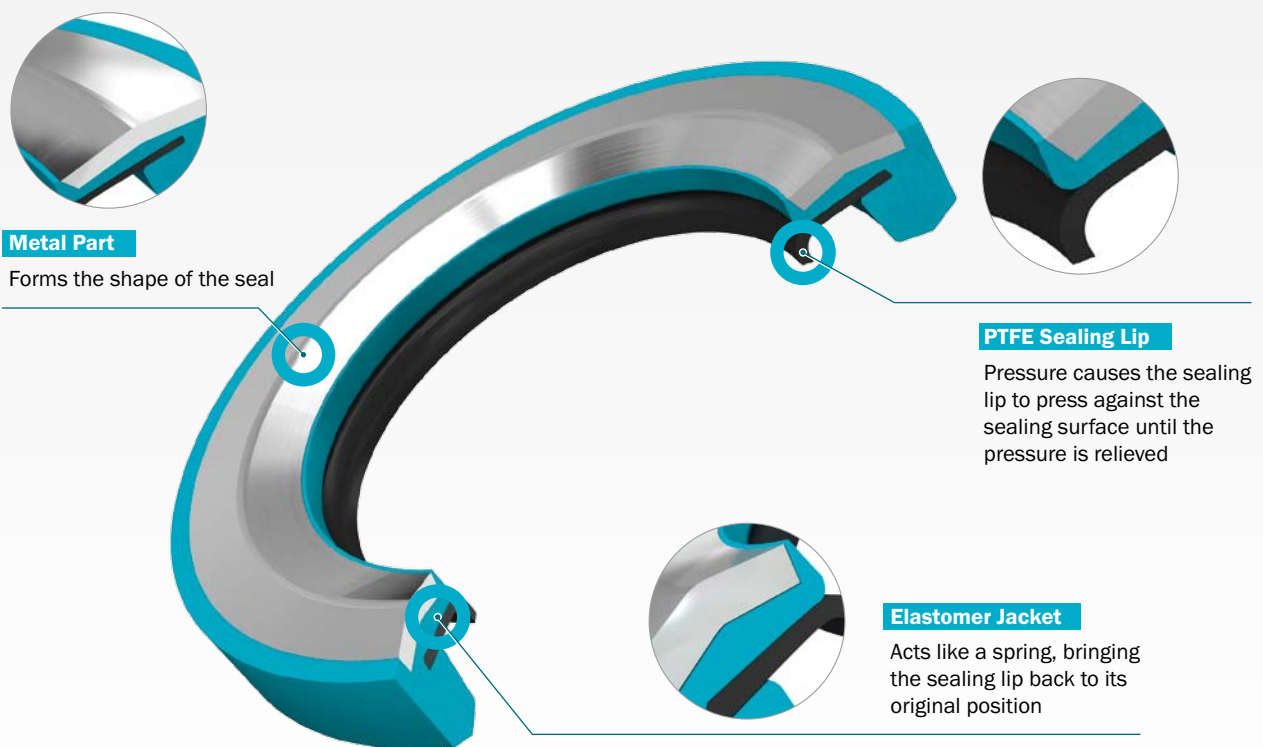
Turcon[®] Roto L

ENERGY SAVING WITH NO FRICTION



SAVING ENERGY AND FUEL

Trelleborg Sealing Solutions is a major supplier of seals to axle manufacturers for agricultural and off-highway vehicles, as well as cars, trucks and high performance vehicles. The new Turcon® Roto L seal is engineered to extend seal life on axle systems. Uniquely, it only seals when sealing is required. This reduces friction, lowering fuel consumption and thereby conserves energy.



Innovative sealing concept

Turcon® Roto L combines a polytetrafluoroethylene (PTFE) sealing lip with a rubber jacket and a stable shape forming metal part.

The seal's patented design means that for the majority of the time the sealing lip is just held against the sealing surface. Its patented design offers features and benefits that no other seal can.

Features and benefits:

- Extended seal life
- Operates only when required
- Total system life sealing
- Eliminates friction when not pressurized
- Saves energy
- Improved safety
- Significant fuel savings for vehicle operators
- Deflation and inflation of tires on the move minimizes down time
- Lower overall vehicle operator costs

PROVIDING UNIQUE BENEFITS WHEN SEALING AXLE SYSTEMS

SEGMENT

APPLICATION

Off-highway vehicles



Off-highway tires incorporate a central tire inflation system. Their pressure is increased or decreased depending on the surface the vehicle is travelling on or the field it is working in. Sealing around the axle is only required when the tire is pressurized to inflate or deflate it. Turcon® Roto L seals only when needed, lengthening seal life and lowering fuel consumption.

Long-based trucks and multi-trailer trucks



With Turcon® Roto L, tire pressures can be optimized to road and load conditions in long-based or multi-trailer trucks. This improves traction and safety and can result in considerable fuel savings for transport companies.

Super sports cars



When super sports cars drive slowly, the tires should be kept at low pressure for driver comfort. At high speeds the cars will be safer if the tire is at high pressure, or pressure is different on each wheel, depending on the track it is travelling on. Turcon® Roto L will facilitate this pressure variation.

Lowering down time – a major cost saving

When pressurized, Turcon® Roto L has less than half the friction of the standard sealing solutions on axle systems, vehicle operators can deflate and inflate tires when the vehicle is on the move.

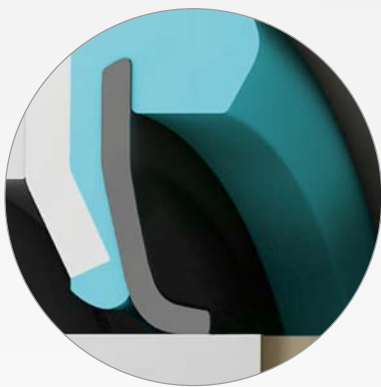
This is a major advantage to vehicle operators and can lead to significantly lower operating costs. It can take between 20 and 30 minutes to adjust the pressure on a large commercial tire. If this can be done while the vehicle is moving between jobs, that's up to 30 minutes that the commercial vehicle can be working rather than idle.

Turcon® Roto L advantages:

- Low friction
- Compatible with all types of hydraulic fluid
- Capable of constant activation
- High wear resistance
- Operates under high pressure
- Extended seal life reduces maintenance
- 24-7 operation

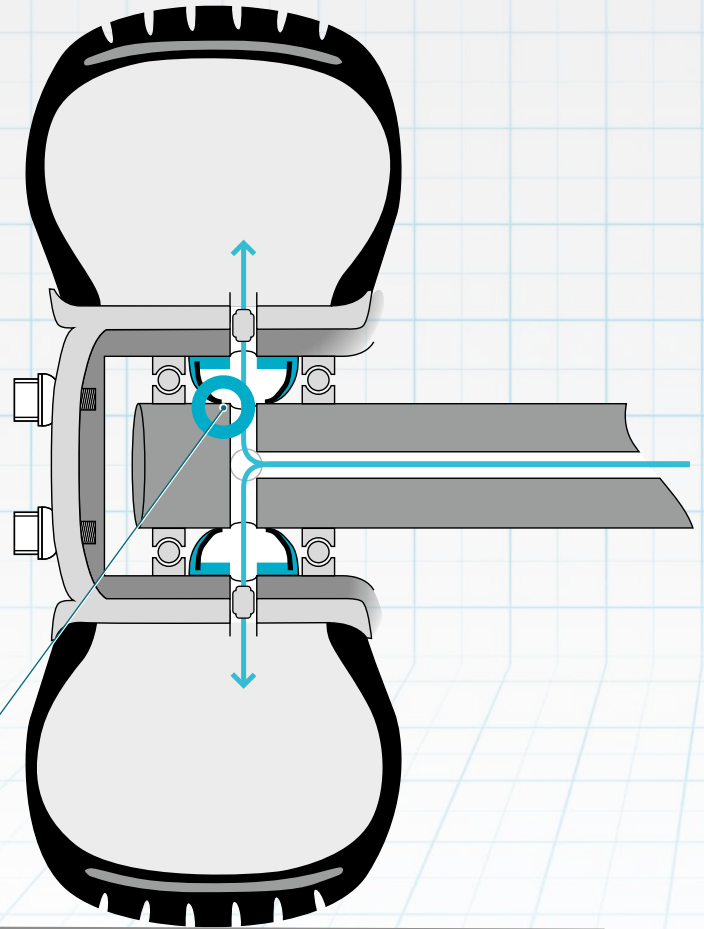
SAVING FUEL BY SEALING ONLY WHEN NEEDED

Turcon® Roto L is the first ever active seal, engineered to only provide sealing when it is needed for example in tire inflation systems. Eliminating friction and torque, this extends seal life and most importantly reduces fuel consumption.



Turcon® Roto L with pressure

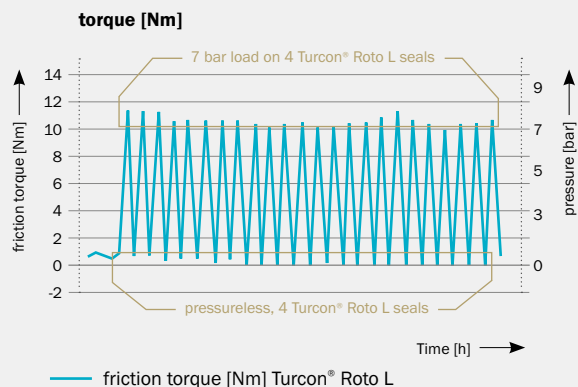
The seal is only activated when the system is pressurized. The pressure causes the sealing lip to press against the sealing surface until the pressure is relieved.



Dry air torque test

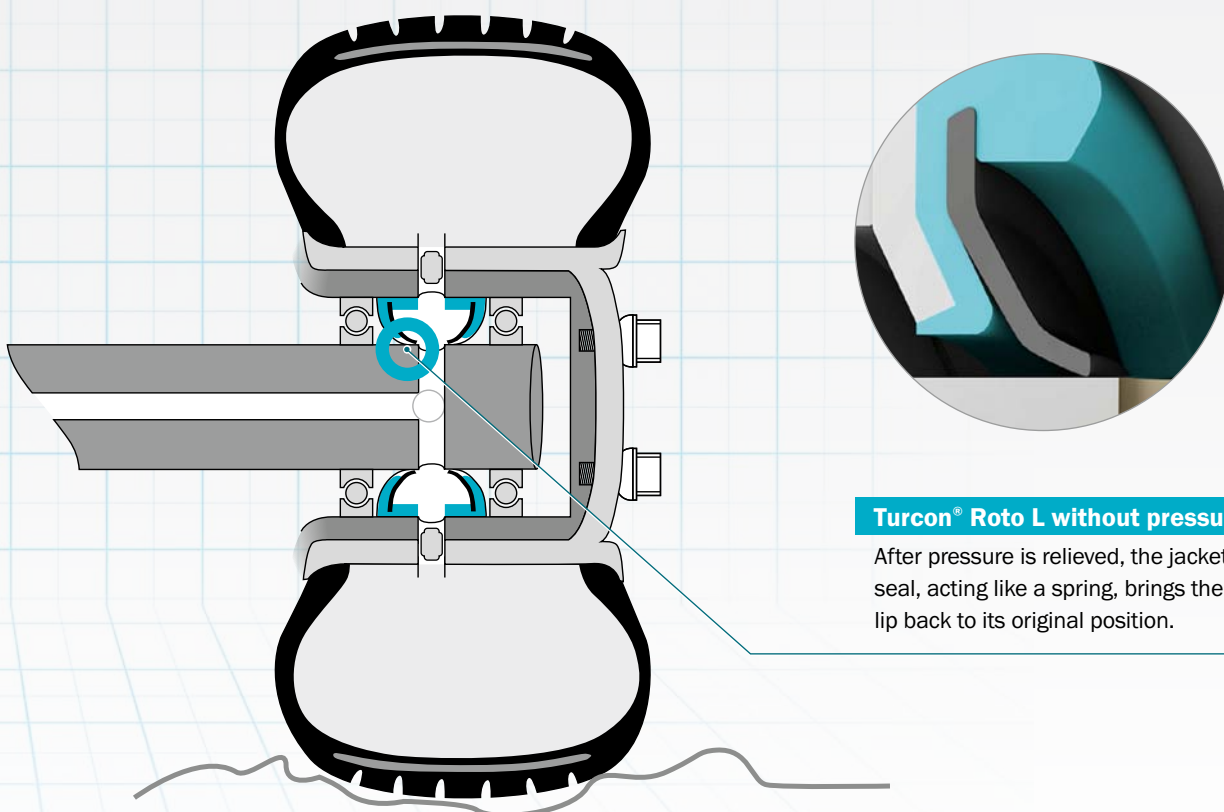
To simulate the active function of the Turcon® Roto L, in an endurance test we measured the friction of four Turcon® Roto L seals at 7 bar pressure and 0 bar pressure. In the graph we recorded the activity of the Turcon® Roto L seal, torque over time.

The nearly zero friction at 0 bar pressure and extremely low friction under pressure load are superior features of the Turcon® Roto L seal. This opens up the possibility of using the seal over the lifetime of central tire inflation systems in off-highway vehicles, trucks and sports cars.





To design a solution for your specific needs contact your local **Trelleborg Sealing Solutions** marketing company.



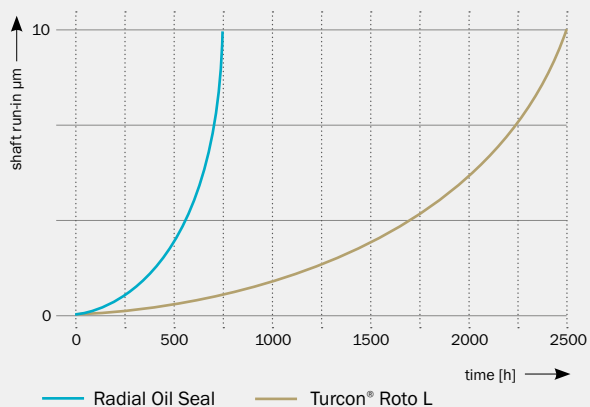
Turcon® Roto L without pressure

After pressure is relieved, the jacket of the seal, acting like a spring, brings the sealing lip back to its original position.

Lifetime of the hardware

Turcon® Roto L reduces the shaft run-in significantly. This is due to the material properties of the Turcon® M12 sealing lip and the fact there is no friction when the seal is not activated.

A standard central tire inflation system seal has a run in of 10.1 μm after 168 h. In comparison, the Turcon® Roto L has a run in of 4.59 μm after 780 h. This results in a seal life that is at least four times longer.



LOCAL CONTACTS

EUROPE

Austria – Vienna (Slovenia)

+43 (0) 1 406 47 33

Belgium - Dion-Valmont (Luxembourg)

+32 (0) 10 22 57 50

Bulgaria – Sofia

(Azerbaijan, Belarus, Greece, Romania, Ukraine)

+359 (0) 2 969 95 99

Croatia – Zagreb (Albania, Bosnia and Herzegovina,

Macedonia, Serbia, Montenegro)

+385 (0) 1 24 56 387

Czech Republic - Rakovník (Slovakia)

+420 313 529 111

Denmark – Copenhagen

+45 48 22 80 80

Finland – Vantaa (Estonia, Latvia)

+358 (0) 207 12 13 50

France - Maisons-Laffitte

+33 (0) 1 30 86 56 00

Germany - Stuttgart

+49 (0) 711 7864 0

Hungary – Budaörs

+36 (06) 23 50 21 21

Italy – Livorno

+39 0586 22 6111

The Netherlands - Rotterdam

+31 (0) 10 29 22 111

Norway – Oslo

+47 22 64 60 80

Poland – Warsaw (Lithuania)

+48 (0) 22 863 30 11

Russia – Moscow

+7 495 627 57 22

Spain – Madrid (Portugal)

+34 (0) 91 71057 30

Sweden – Jönköping

+46 (0) 36 34 15 00

Switzerland – Crissier

+41 (0) 21 631 41 11

Turkey – Istanbul

+90 216 569 73 00

United Kingdom - Solihull (Eire, South Africa)

+44 (0) 121 744 1221

Aerospace Hub Europe, North

(UK and Nordic Countries)

+44 (0) 121 744 1221

Aerospace Hub Europe, South & West

(Continental Europe and Middle East)

+33 (0) 1 30 86 56 00

Automotive Hub Europe

+49 (0) 711 7864 0

AMERICAS

Americas Regional

+1 260 749 9631

Brazil – São José dos Campos

+55 12 3932 7600

Canada Central – Etobicoke, ON

+1 416 213 9444

Canada East – Montreal, QC

+1 514 284 1114

Canada West – Langley, BC

+1 604 539 0098

Mexico - Mexico City

+52 55 57 19 50 05

USA, Great Lakes - Fort Wayne, IN

+1 260 482 4050

USA, East - Mt. Juliet, TN

+1 615 800 8340

USA, Midwest - Schaumburg, IL

+1 630 539 5500

USA, Northern California - Fresno, CA

+1 559 449 6070

USA, Northwest - Portland, OR

+1 503 595 6565

USA, Southwest - Houston, TX

+1 713 461 3495

Aerospace Hub Airframe

+1 303 469 1357

Aerospace Hub Distribution & Engineering

+1 260 749 9631

Aerospace Hub East

+1 610 828 3209

Aerospace Hub West

+1 310 371 1025

Automotive Hub North America

+1 734 354 1250

Automotive Hub South America

+55 12 3932 7600

ASIA PACIFIC

Asia Pacific Regional

+65 6 577 1778

China – Hong Kong

+852 2366 9165

China – Shanghai

+86 (0) 21 6145 1830

India – Bangalore

+91 (0) 80 3372 9000

Japan – Tokyo

+81 (0) 3 5633 8008

Korea – Seoul

+82 (0) 2 761 3471

Malaysia - Kuala Lumpur

+60 (0) 3 90549266

Taiwan – Taichung

+886 4 2382 8886

Vietnam – Ho Chi Minh City

+84 8 6288 6407

Singapore and all other countries in South and East Asia, Australasia

+65 6 577 1778

Aerospace Hub China

+86 (0) 21 6145 1830

Aerospace Hub Singapore

+65 6 577 1778

Automotive Hub China

+86 (0) 21 6145 1830

Automotive Hub India

+91 (0) 80 3372 9200

AFRICA, CENTRAL ASIA AND MIDDLE EAST

Africa & Iran (excluding South Africa (see UK))

+41 (0) 21 631 41 11

Central Asia (Armenia, Georgia, Kazakhstan, Kyrgyzstan, Tajikistan, Uzbekistan)

+7 495 627 57 22

Middle East and Gulf Region

+359 (0) 2 969 95 99



Trelleborg is a world leader in engineered polymer solutions that seal, damp and protect critical applications in demanding environments. Its innovative engineered solutions accelerate performance for customers in a sustainable way. The Trelleborg Group has local presence in over 40 countries around the world.

WWW.TSS.TRELLEBORG.COM